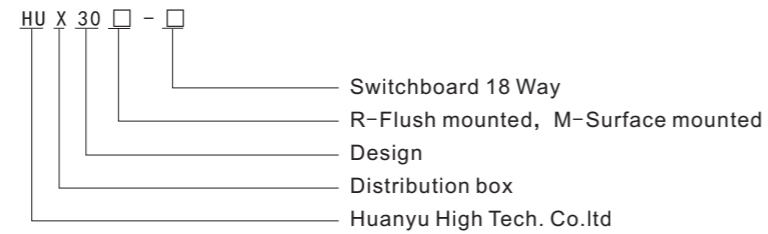


**HUX-30**

series distribution box

**Scope of application**

HUX-30 series distribution box is suitable for control circuits of 380V/220V three-phase five-wire system and single-phase three-wire system. The installation width is 9mm modulus.

**Model and Meaning****Normal working condition and installation condition**

- 1、 Installation method: Flush mounted on hollow wall, Surface mounted on non-combustible wall
- 2、 Ambient temperature: Limited temperature  $-25^{\circ}\text{C} \sim +60^{\circ}\text{C}$
- 3、 The highest temperature during the building process:  $+60^{\circ}\text{C}$
- 4、 Installation method: Open the small door, unscrew the left and right screws on the door frame, remove the panel, and then install the electrical components and complete sets of wiring. After installing the wiring, cover the panel and tighten the screws on the door frame.
- 5、 Safety protection: When electrical components are installed in the cabinet, it is necessary to ensure that the cabinet is reliably grounded.

**Technical data**

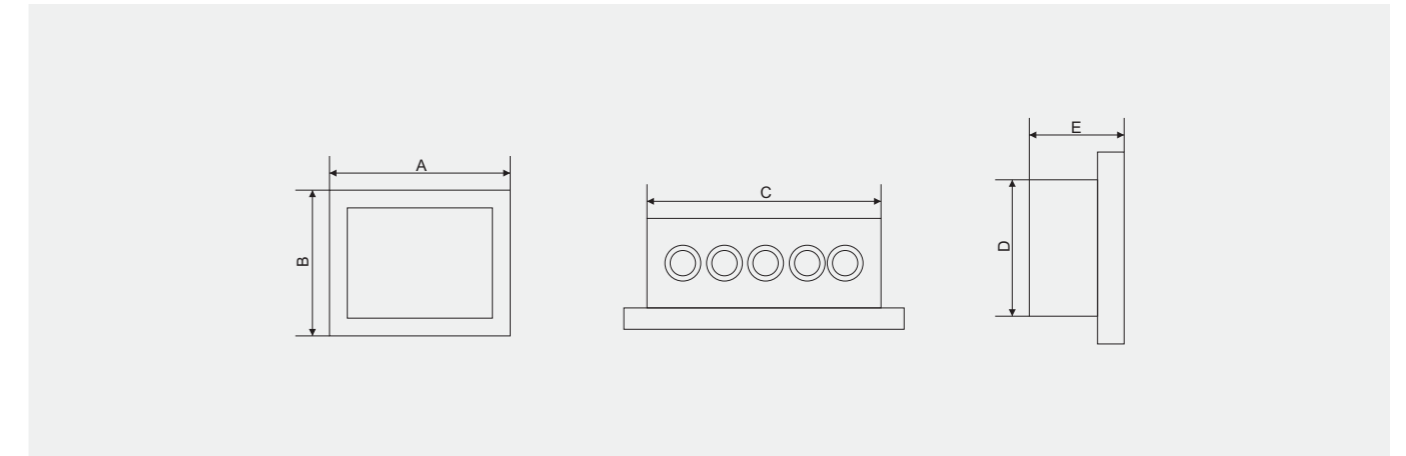
Withstand voltage	Ground DC resistance	Insulation DC resistance	Protection degree
2000V 1min	$\leq 0.05\Omega$	$\geq 5\text{M}\Omega$	IP30

**HUX-30**

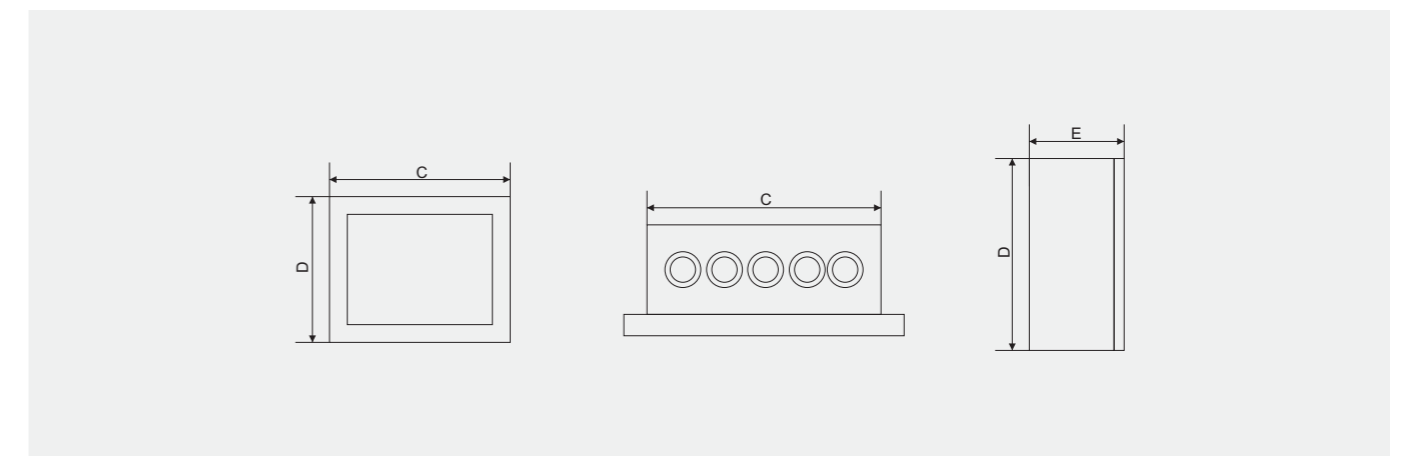
series distribution box

**Overall and mounting dimensions**

Flush mounted



Surface mounted



Number of Ways	Size ( Flush mounted )		Size ( Flush mounted/Surface mounted )		Size ( Hole Surface mounted )	
	A	B	C	D	E	F
4	155	175	130	150	55	75
6	195	225	170	200	80	60
8	235	225	210	200	12	60
10	275	275	251	251	110	170
12	315	275	290	251	150	170
15	365	275	340	251	200	170
18	415	275	390	251	255	170
20	275	485	251	460	110	370
24	315	485	290	460	150	370
30	365	485	340	460	200	370
36	415	485	390	460	255	370
45	365	685	340	660	200	570