

## HUX-60

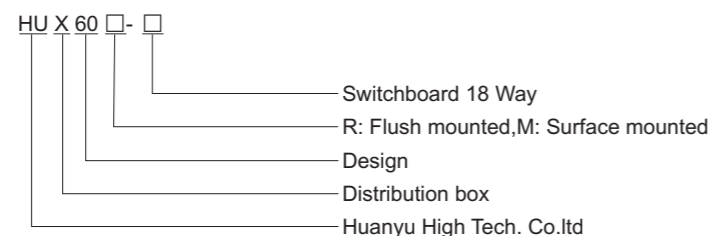
series distribution box



### Scope of application

HUX-60 distribution box is suitable for installing electrical components with 18mm module width and guide rail card; the circuit principle is 380V/220V three-phase five-wire system. Simple control circuit of single-phase three-wire system.

### Model and Meaning



### Normal working condition and installation condition

1. Installation method
  - 1.1 Flush mounted: Flush mounted on hollow wal
  - 1.2 Surface mounted: Installed on a non-flammable wall
2. Ambient temperature: Limited temperature -25°C~+60°C
3. The highest temperature during the building process: +60°C

### Technical data

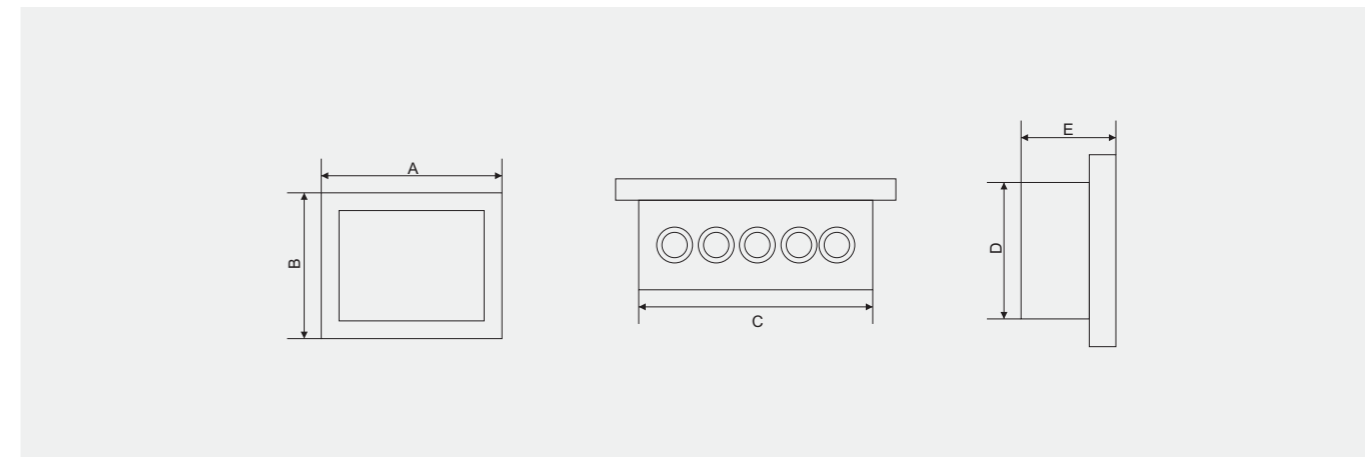
Withstand voltage	Ground DC resistance	Ground DC resistance	Protection degree
2000V 1min	≤0.05Ω	≥5MΩ	IP30

## HUX-60

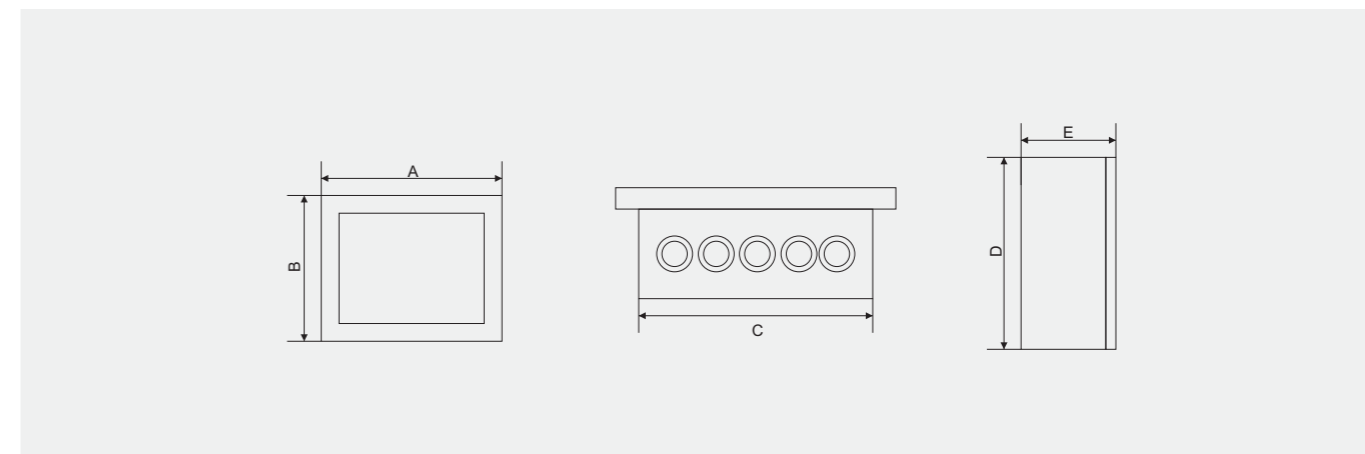
series distribution box

### Overall and mounting dimensions

#### Flush mounted



#### Surface mounted



Number of Ways	Size(Flush mounted)		Size(Flush mounted/Surface mounted)		
	A	B	C	D	E
6	200	230	170	200	90
8	240	230	210	200	90
10	280	260	250	230	90
12	315	260	285	230	90
15	370	260	340	230	90
18	420	260	390	230	90
20	460	260	430	230	90
24	315	445	285	415	90
30	370	445	340	415	90
36	420	445	390	415	90