

DDS881

Series Electronic Single-phase Watt-hour Meter



I. Scope of Application

The DDS881 Series Static (Electronic) Single-phase Watt-hour Meter, which adopts high-quality large-scale integrated circuit and SMT technology and the counter of mechanical mechanism driven by step motor, with the recorded data not lost during power failure, is one of the latest watt-hour meter products in China. This product is used to measure AC single-phase active power with voltage of 220 V and reference frequency of 50 Hz.

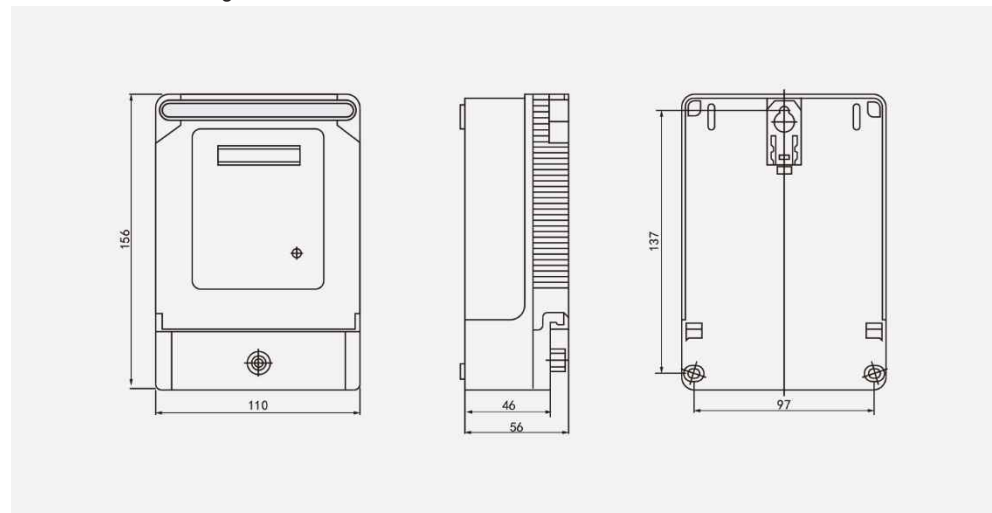
The product complies with GB/T17215.321-2008.

II. Main Technical Parameters

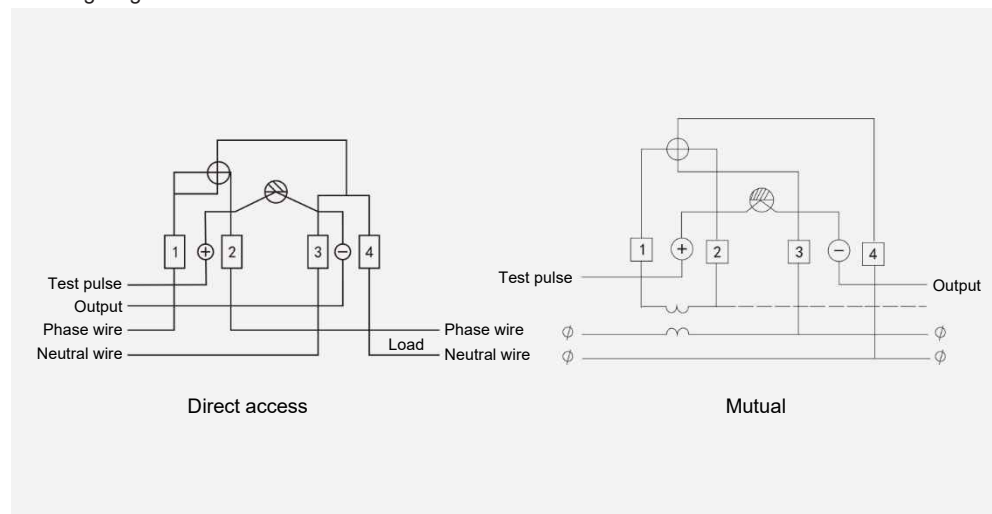
Reference voltage	Reference frequency	Calibrated current (A)	Accuracy grade	Starting current	Creeping	Weight (kg)
220V	50Hz	1.5(6), 2.5(10) 5(20) 10(40), 15(60), 20(80) 30(100)	Grade 1 Grade 2	Grade 1, 0.4% Ib Grade 2, 0.5% Ib	The voltage is 115% of the reference voltage, and no more than one pulse is emitted from the open circuit test output of the current line (this product adopts anti-creep logic design)	About 0.6

III. Outline and Installation Dimensions, Wiring Diagram

1. Dimensional drawing



2. Wiring diagram



A Primary power distribution

B Secondary distribution

C Terminal power distribution

D Industrial control and protection

E power device

F Power management

G High voltage components