

# BH-0.66

## Series Current Transformer

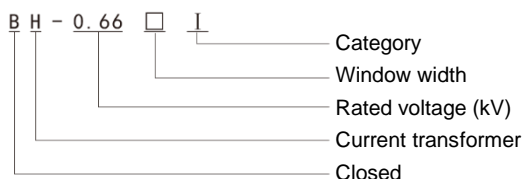


### I. Scope of Application

The BH-0.66 Series Current Transformer is used indoors, and is suitable for the current and power measurements and the relay protection in AC circuits with the rated voltage of 660 V and the rated frequency of 50 Hz.

The product complies with GB 20840.1 and GB 20840.2.

### II. Model Description



### III. Main Technical Parameters

- Insulation requirements: The primary winding bears the power frequency voltage of 3 kV to the secondary winding and the ground as well as the secondary winding to the ground for 1 min, and the insulation resistance shall not be less than 10 MΩ.
- The rated secondary current is 5 A. See the table below for the rated primary current, rated capacity and accuracy level.

Model	Rated current ratio (A)	Rated load (VA)	Accuracy level	Rated voltage (kV)
BH-0.66 20Φ	75 / 5	2.5	0.5 1.5 S 0.2 0.2 S	0.66
	100 / 5	2.5		
BH-0.66 30 Type I	100 / 5	2.5		
	150 / 5	2.5		
	200 / 5	5		
	250 / 5	5		
	300 / 5	5		
	400 / 5	5		
BH-0.66 30 Type IB	500 / 5	5		
	50 / 5	2.5		
	75 / 5	2.5		
	100 / 5	2.5		
	150 / 5	2.5		
	200 / 5	5		
	250 / 5	5		
BH-0.66 40 Type I	300 / 5	5		
	400 / 5	5		
	150 / 5	2.5		
	200 / 5	5		
	250 / 5	5		
	300 / 5	5		
	400 / 5	5		
	500 / 5	10		
	600 / 5	10		
	750 / 5	10		
800 / 5	10			
1,000 / 5	15			
1,200 / 5	20			
1,500 / 5	20			

## BH-0.66

### Series Current Transformer

Model	Rated current ratio (A)	Rated load (VA)	Accuracy level	Rated voltage (kV)
BH-0.66 50 Type I	200 / 5	5	0.2 0.2 S 0.5 0.5 S	0.66
	300 / 5	5		
	400 / 5	5		
	500 / 5	10		
	600 / 5	10		
	800 / 5	10		
	1,000 / 5	15		
	1,200 / 5	20		
	1,500 / 5	20		
BH-0.66 60 Type I	300 / 5	5		
	400 / 5	5		
	500 / 5	10		
	600 / 5	10		
	800 / 5	10		
	1,000 / 5	15		
	1,200 / 5	20		
	1,500 / 5	20		
	2,000 / 5	20		
BH-0.66 80 Type I	600 / 5	10		
	800 / 5	10		
	1,000 / 5	15		
	1,200 / 5	20		
	1,500 / 5	20		
	2,000 / 5	20		
	2,500 / 5	20		
BH-0.66 100 Type I	1,000 / 5	15		
	1,200 / 5	20		
	1,500 / 5	20		
	2,000 / 5	20		
	2,500 / 5	30		
	3,000 / 5	40		
	4,000 / 5	40		
BH-0.66 120 Type I	1,500 / 5	20		
	2,000 / 5	20		
	2,500 / 5	30		
	3,000 / 5	40		
	4,000 / 5	40		
	5,000 / 5	40		

Note: When the primary current is above 150 A (including 150 A), the core is penetrated by one turn by default. When the primary current is below 150 A, the composite turn can be selected to form a solid.

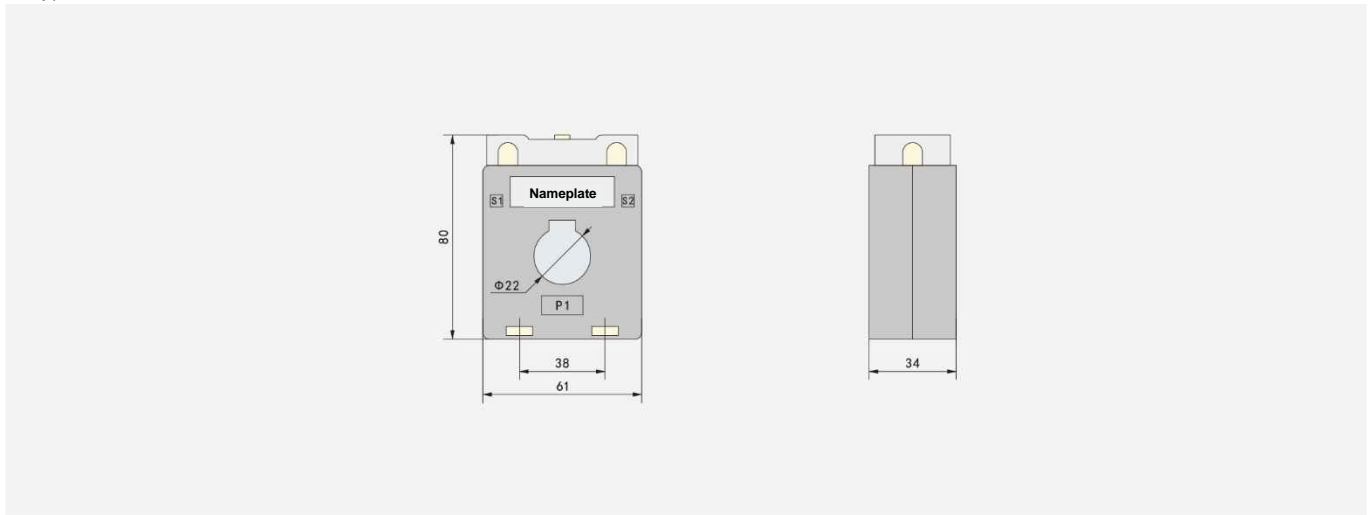
- A** Primary power distribution
- B** Secondary distribution
- C** Terminal power distribution
- D** Industrial control and protection
- E** power device
- F** Power management
- G** High voltage components

# BH-0.66

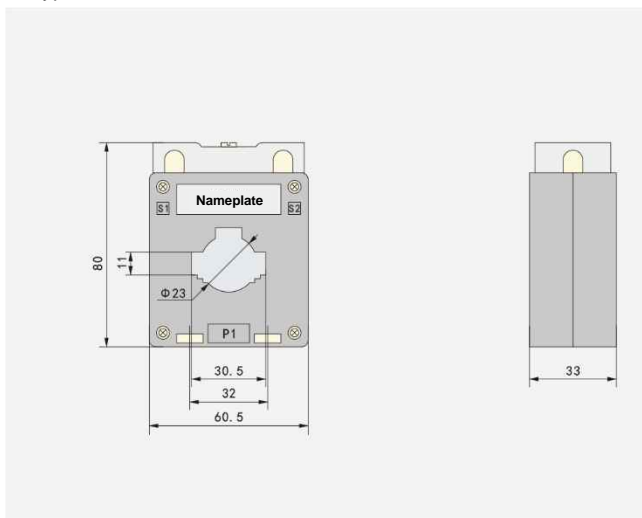
## Series Current Transformer

### IV. Outline and Installation Dimensions

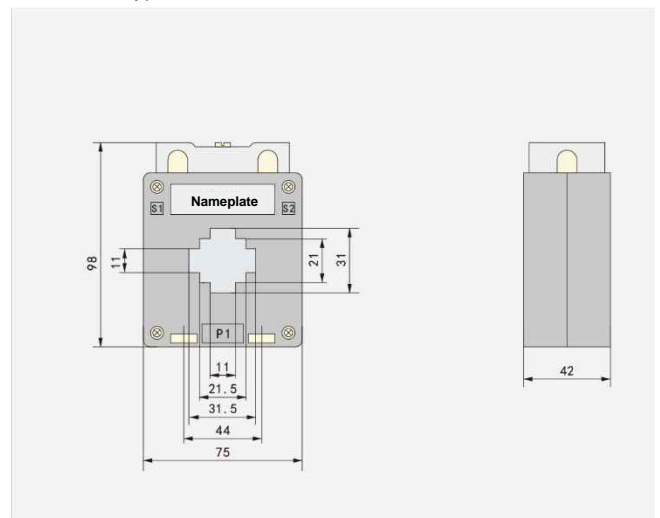
#### 1. Type BH-20



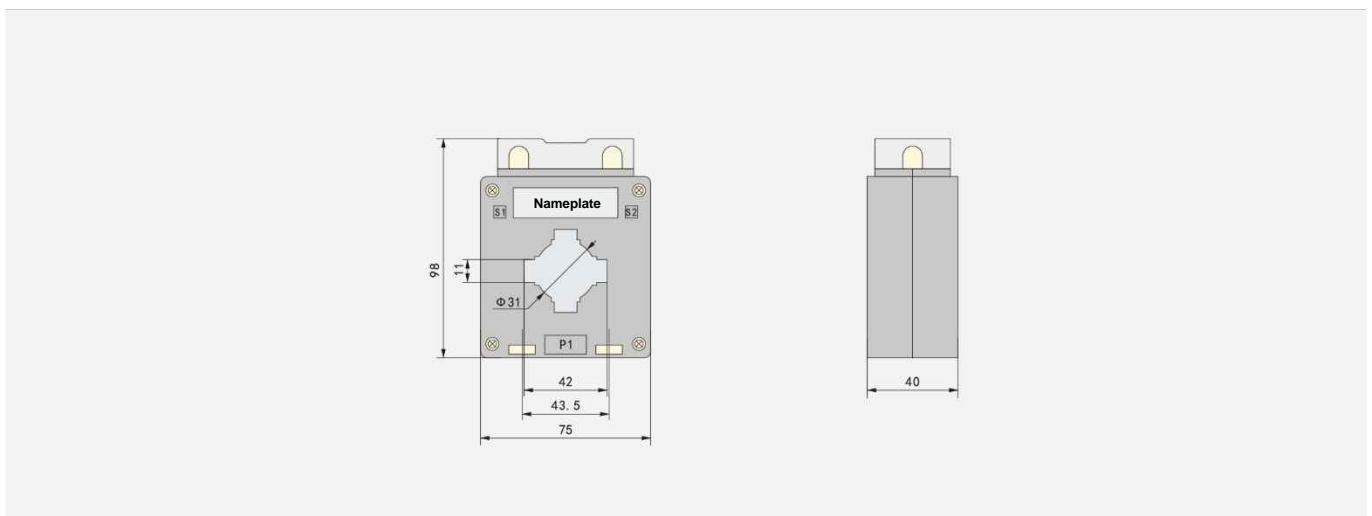
#### 2. Type BH-30



#### 3. BH-30IB Type



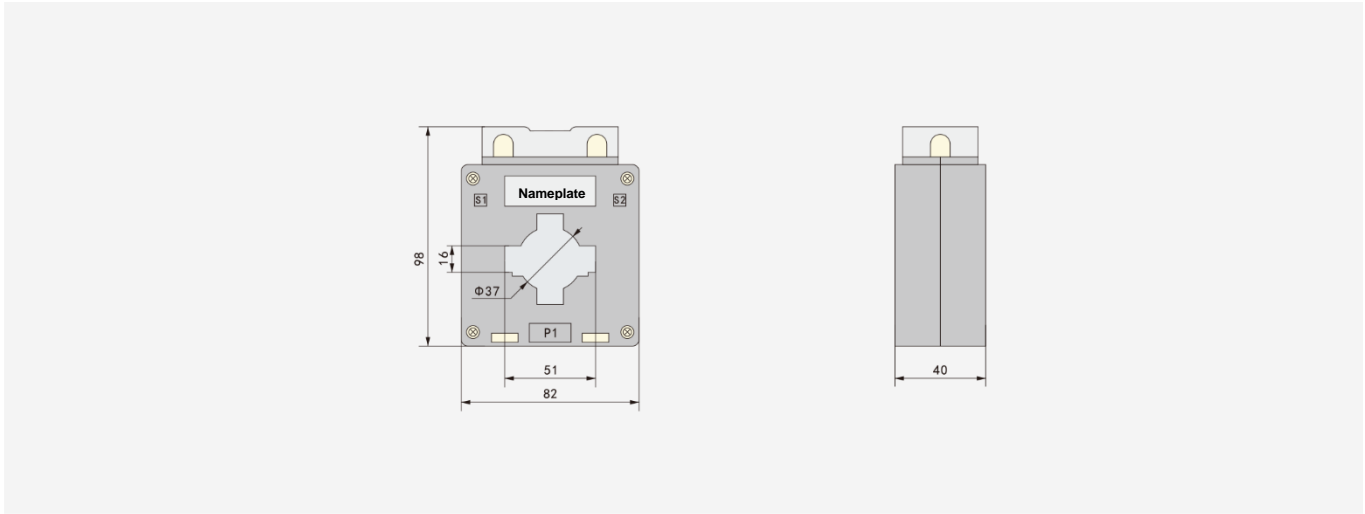
#### 4. Type BH-40



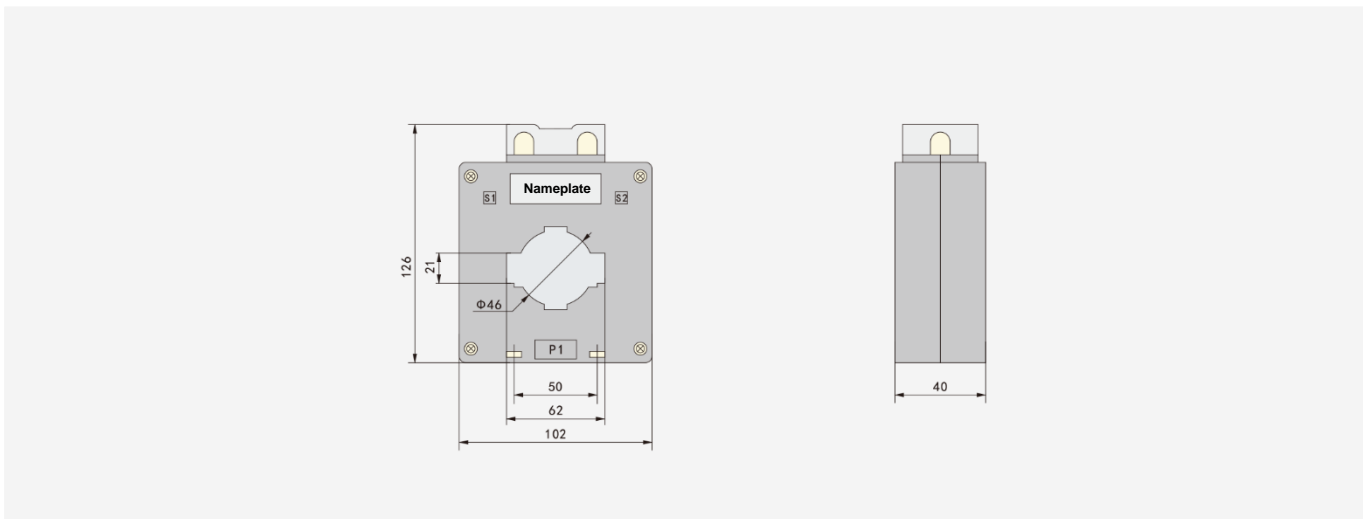
# BH-0.66

## Series Current Transformer

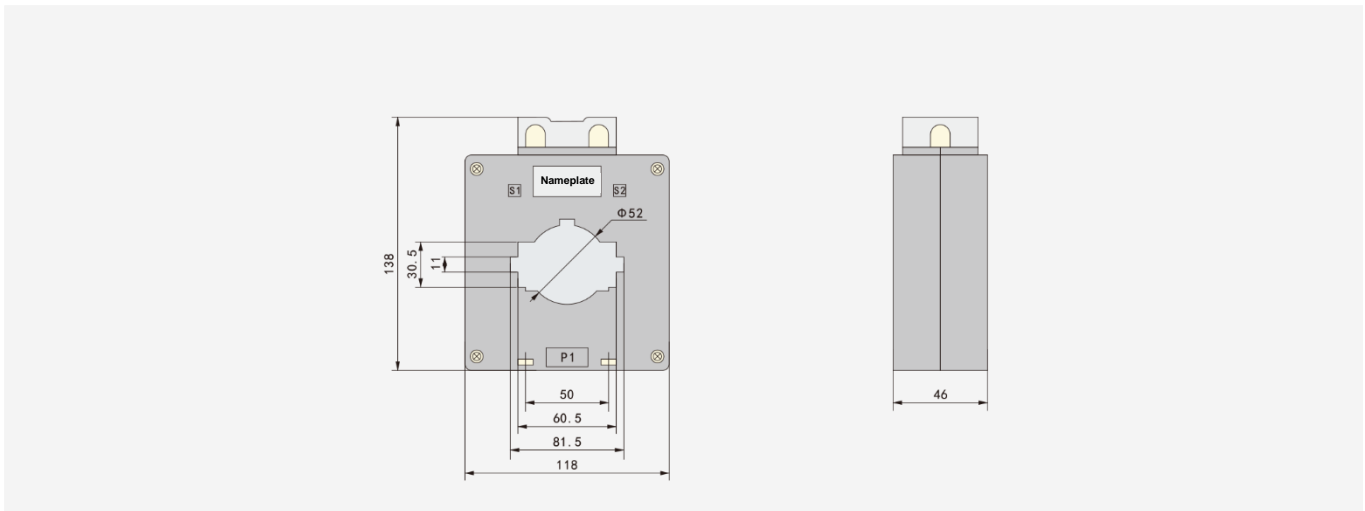
### 4. Type BH-50



### 5. Type BH-60



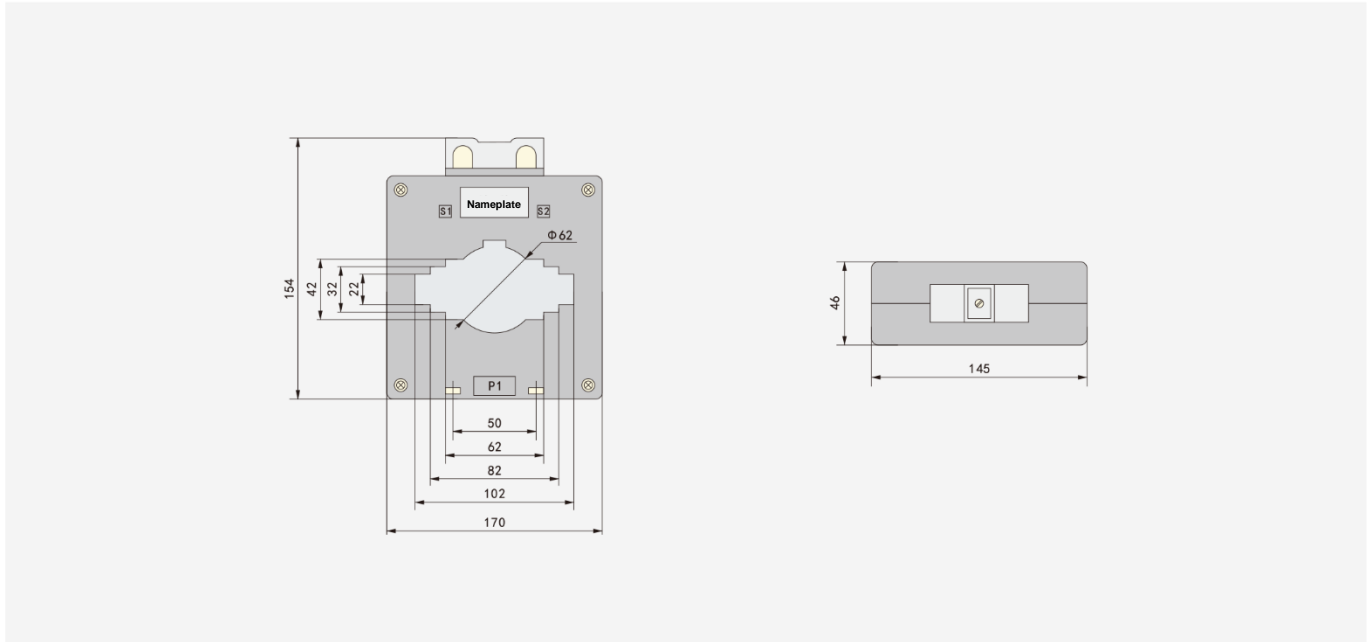
### 6. Type BH-80



# BH-0.66

## Series Current Transformer

### 7. Type BH-100



### 8. Type BH-120

