

CJ19

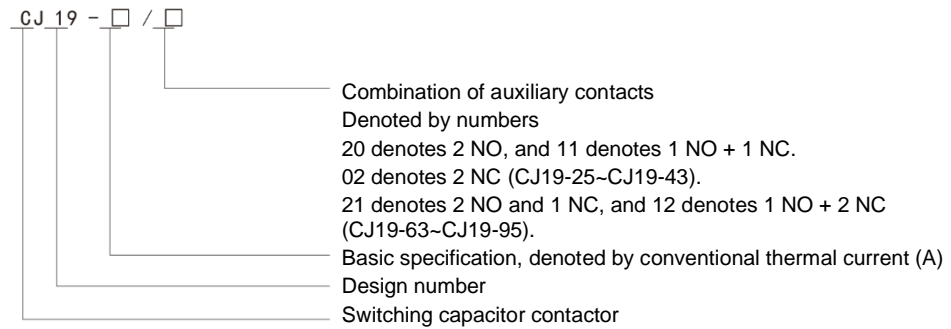
Series Switching Capacitor Contactor



I. Scope of Application

The CJ19 Series Switching Capacitor Contactor is specially used for switching low-voltage shunt capacitors, which are widely used in reactive power compensation equipment with AC 50 Hz and voltage up to 400 V. In the power system with controllable capacitor capacity of 50 kvar under AC-6b usage category, three-phase unipolar or multipolar capacitor banks are switched to improve the power factor. The contactor is equipped with inrush current suppression device, which can effectively reduce the impact of closing inrush current on the capacitor and the operating overvoltage at the breaking moment. It can replace the original switching device consisting of one contactor and three current limiting reactors, with small size, light weight, strong making/breaking capacity and convenient installation. This product complies with GB14048.4 and IEC60947-4-1.

II. Model Description



III. Normal Operating Conditions

- Ambient air temperature: -5°C~+40°C. The average temperature within 24 hours shall not exceed +35°C.
- The altitude shall not be higher than 2,000 m.
- Atmospheric conditions: The relative atmospheric humidity at the installation site shall not exceed 50% at +40°C. A higher relative humidity is allowed at a lower temperature, e.g. 90% humidity at 20°C. Special measures shall be taken for the occasional condensation due to the temperature change.
- Contamination grade: Grade 3.
- The installation category is III. The inclination between the installation surface and the vertical plane shall not be more than +5°.
- Degree of protection by enclosure: IP20.
- Impact vibration: The contactor shall be installed and used in a place free of significant shaking, impact and vibration.
- Transportation and storage: The contactor shall not be subjected to severe collision and vibration during the transportation, and shall not be attacked by rain and snow during the transportation and storage. The contactor is suitable for the transportation and storage at a temperature between -25°C and +55°C, which can reach +70°C in a short time (within 24 h).



IV. Main Technical Parameters

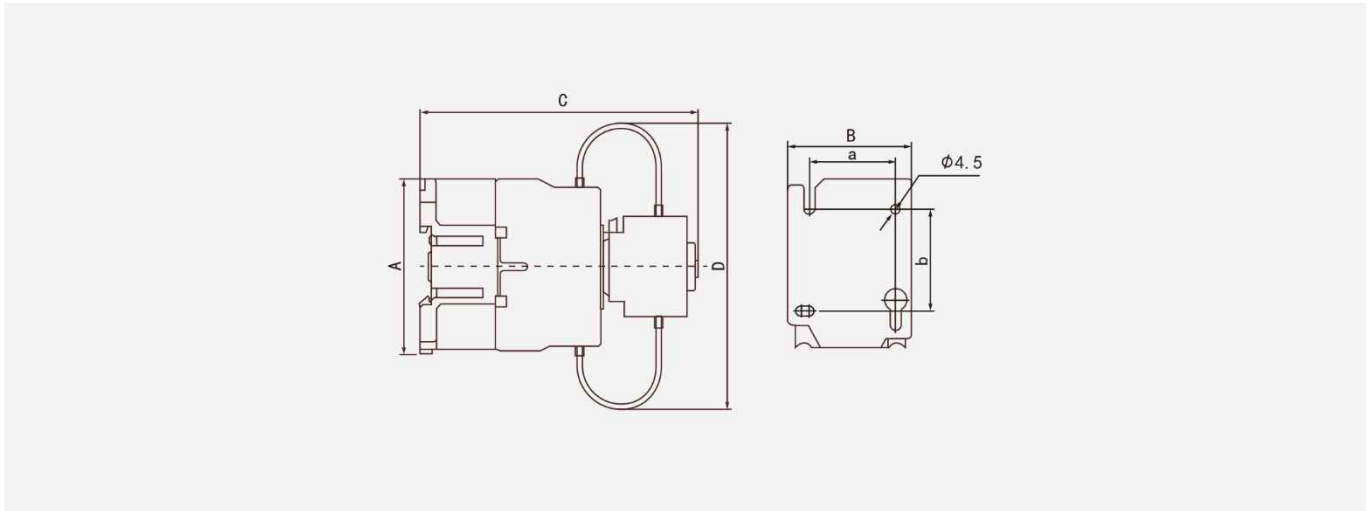
Model		CJ19-25	CJ19-32	CJ19-43	CJ19-63	CJ19-80	CJ19-95	
Controllable capacitor capacity (kvar)	220V	6	9	10	15	23	28.8	
	380V	12	18	20	30	40	50	
Rated insulation voltage U_i (V)		500						
Rated working voltage U_e (V)		220, 380						
Conventional thermal current I_{th} (A)		25	32	43	63	80	95	
AC-6b rated working current (A)	380V	17	26	29	44	54	72	
Inrush current suppression ability		20 I_e						
Control coil voltage U_s (V)		36, 110, 127, 220, 380						
Conventional thermal current of auxiliary contact (A)		10			10			
Operating frequency (times/h)		120						
Electrical life ($\times 10^5$ times)		1		0.8		0.6		
Mechanical life ($\times 10^5$ times)		10		8		6		

CJ19

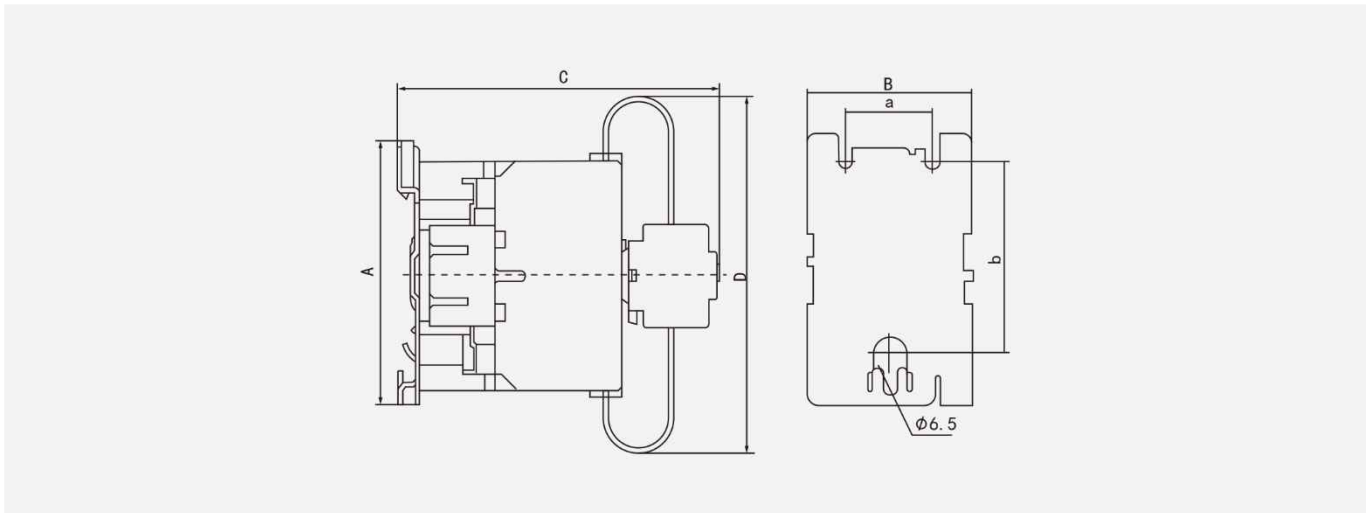
Series Switching Capacitor Contactor

V. Outline and Installation Dimensions

Outline and installation dimension diagram of CJ19-25, 32, and 43



Outline and installation dimension diagram of CJ19-63, 80, and 95

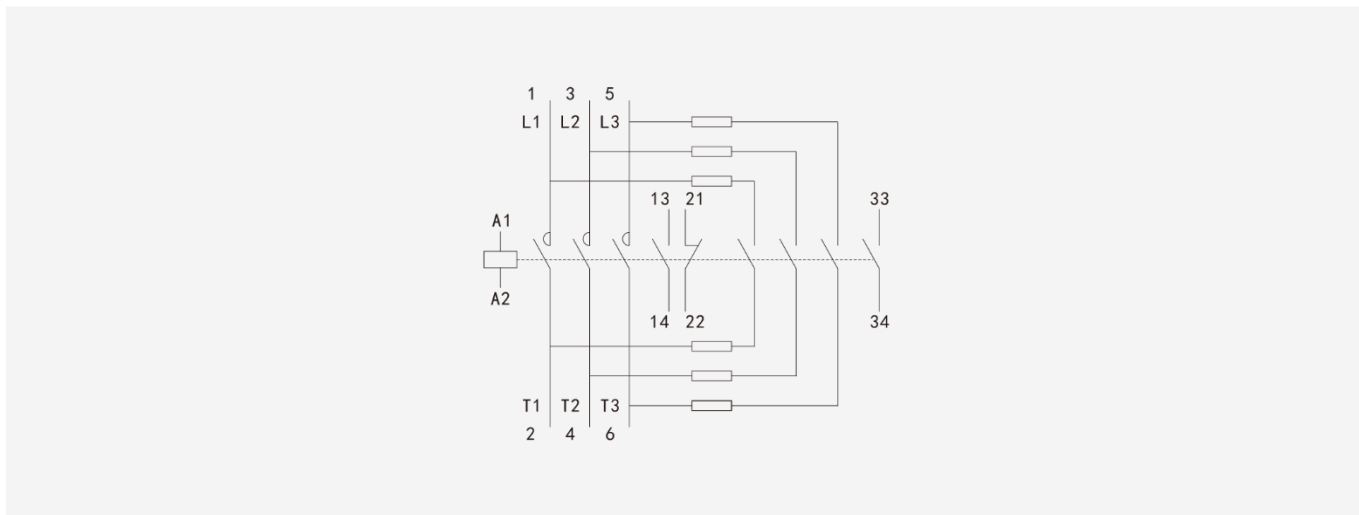


Dimension Model	Outline dimension				Installation dimension		Notes
	A	B	C	D	a	b	
CJ19-25	76	47	125	120	35	50/60	In addition to screws, 35 mm mounting rail can also be used for installation.
CJ19-32	86	58	135	130	40	50/60	
CJ19-43	86	58	135	130	40	50/60	
CJ19-63	128	79	156	150	40	100/110	In addition to screws, 35 mm and 75 mm mounting rails can also be used for installation.
CJ19-80	128	87	160	200	40	100/110	
CJ19-95	128	87	160	200	40	100/110	

CJ19

Series Switching Capacitor Contactor

VI. Wiring Diagram



VII. Ordering Information

1. Complete name and model of the contactor.
2. Rated working voltage and frequency of coil.
3. Order quantity.
4. If a standard clamping rail is required, please specify it separately.
5. Example of ordering: CJ19-25/11, with coil voltage of 220 V, 50 Hz and 10 sets.

A

Primary power distribution

B

Secondary distribution

C

Terminal power distribution

D

Industrial control and protection

E

power device

F

Power management

G

High voltage components