

**HUM18LE-63**

• Application



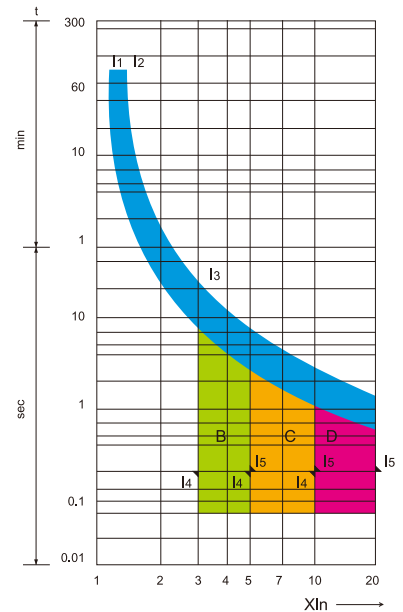
• Certificate



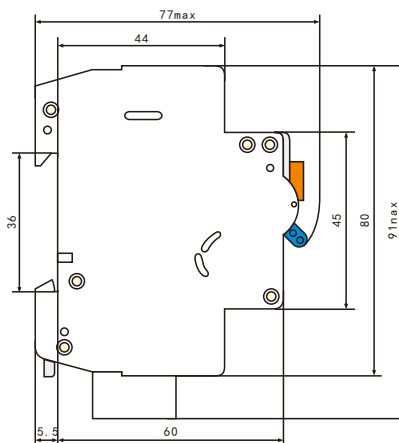
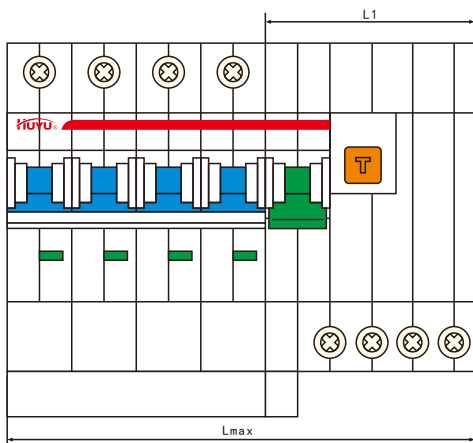
Technical Data

Type	HUM18LE-63	
Protection	electric leakage, overload and short circuit	
Rated current I <sub>n</sub> (A)	6~63	
Rated residual current	Operating, I <sub>n</sub>	30mA, 50mA, 75mA, 100mA, 150mA, 200mA, 300mA
	Non-operating, I <sub>n</sub>	0.5I <sub>n</sub> Δn
Number of poles	1P+N, 2, 3, 3P+N, 4	
Rated voltage	400V	
Residual current off-time	<100ms	
Standard	IEC61009-1	
Approval	CE, CCC, RoHS	
Type of trip	thermal magnetic release	
Ground fault	no	
Overcurrent	yes	
Breaking capacity	6000	
Electrical endurance	20000	
Mount	on 35mm din rail	
Width	17.8mm per pole	
Terminal	Lug type(cable up to 25mm <sup>2</sup> )	

Curve Graph



Overall Dimension



WIDTH mm	POLE NUMBER	
	L1	1P+N
L	35.5±0.5	35.5±0.5
L	54±0.5	72±0.7

WIDTH mm	POLE NUMBER	
	L1	3P
L	46.5±0.5	58±0.6
L	100±1	112±1

WIDTH mm	POLE NUMBER	
	L1	4P
L	58±0.6	
L	130±1	