

# LA38

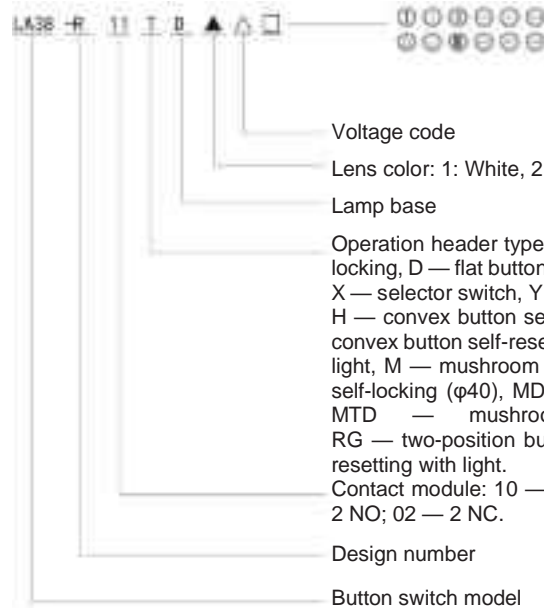
## Series Button Switch



### I. Scope of Application

The LA38 Series Button is suitable for electromagnetic starters, contactors, relays and other electrical circuits with AC 50 Hz, voltage up to 500 V and DC voltage up to 220 V for remote control. The product complies with GB/T 14048.5.

### II. Model Description



- Voltage code
- Lens color: 1: White, 2: Black, 3: Green, 4: Red, 5: Yellow, 6: Blue
- Lamp base
- Operation header type: BN — flat button self-resetting, T — flat button self-locking, D — flat button self-resetting with light, ZS — emergency stop button, X — selector switch, Y — key switch, TD — flat button self-locking with light, H — convex button self-resetting, HT — convex button self-locking, HD — convex button self-resetting with light, HTD — convex button self-locking with light, M — mushroom button self-resetting (φ40), MT — mushroom button self-locking (φ40), MD — mushroom button self-resetting with light (φ40), MTD — mushroom button self-locking with light (φ40), RG — two-position button self-resetting, DRG — two-position button self-resetting with light.
- Contact module: 10 — 1 NO; 01 — 1 NC; 11 — 1 NO + 1 NC; 20 — 2 NO; 02 — 2 NC.
- Design number
- Button switch model

### III. Normal Operating Conditions

1. Ambient air temperature: -5°C—+40°C, and the average temperature within 24 hours does not exceed +35°C.
2. Altitude: Not higher than 2,000 m.
3. Atmospheric conditions: The relative atmospheric humidity does not exceed 50% when the ambient air temperature is +40°C, and a higher relative humidity is allowed at a lower temperature, e.g. 90% humidity at 20°C. Special measures shall be taken for occasional condensation due to the temperature change.
4. Contamination grade: Grade 3.
5. Installation category: II.
6. Protection degree: IP40 and IP65.
7. Use category: AC-15 and DC-13.
8. The installation place shall have no significant shaking, impact or vibration.
9. The installation medium shall have no explosion risks and no enough gas or dust to corrode metals and destroy insulation.
10. The installation place shall be protected from rain and snow.

### IV. Main Technical Parameters

1. Rated insulation voltage  $U_i$ : AC 500 V;
2. Conventional thermal current  $I_{th}$ : 10 A.
3. Rated working voltage  $U_e$  and rated working current  $I_e$ : AC-15:  $U_e$  (V) 380,  $I_e$  (A) 1.9; DC-13:  $U_e$  (V) 220,  $I_e$  (A) 0.31.
4. Mechanical life and electrical life:  
 Mechanical life: Mushroom button: 3,000,000 times operations; Button with light: 1,000,000 times operations; Knob, key button, self-locking button: 100,000 times operations;  
 Electrical life: Knob, key button, self-locking button: 100,000 times operations; Others: 600,000 times operations (AC) and 300,000 times (DC).

# LA38

## Series Button Switch

### V. Structural Features

1. Building block combined structure, which is flexible, convenient and reliable in assembly and disassembly. The dynamic and static contacts are sliding contact, self-cleaning by sliding, and reliable contact.
2. The contacts can be arbitrarily combined to facilitate replacement. 1–4 pairs of contacts are available, which can be composed of 1–14 specifications.
3. Normally-open and normally-closed contacts are insulated and can work at different levels.
4. There are anti-clapboards and combined screw pressing wires at the wiring, and the tile washer can rise or fall with the screwing-out and screwing-in of the screws, which makes the wiring convenient.

### VI. Outline and Installation Dimensions

1. See Figures 1–12 for the outline dimensions.
2. See Figure 13 for installation dimensions. The button is required to be installed on a panel with a thickness of 1–6 mm, and the installation aperture is  $22.3^{+0.4}$ .

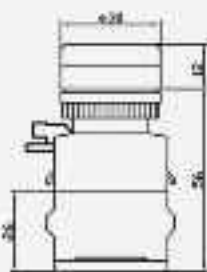


Figure 1 LA38-11 BN/T General Type

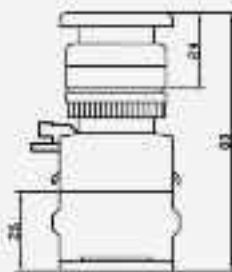


Figure 2 LA38-11M/MT/MD/MTD Mushroom Head Type

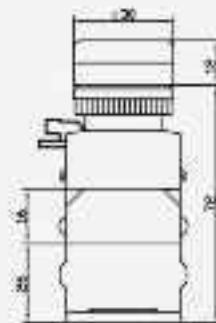


Figure 3 LA38-11D/TD with Light

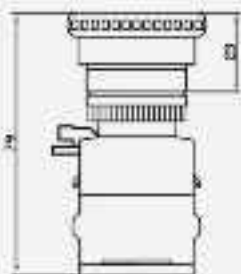


Figure 4 LA38-02ZS Self-locking Type

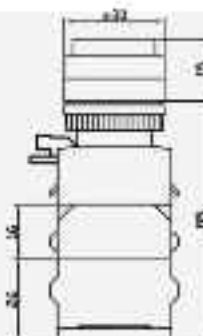


Figure 5 LA38-11HD/HTD Convex Button Self-resetting/Self-locking Type



Figure 6 LA38-11H/HT Convex Button with Light

# LA38

## Series Button Switch

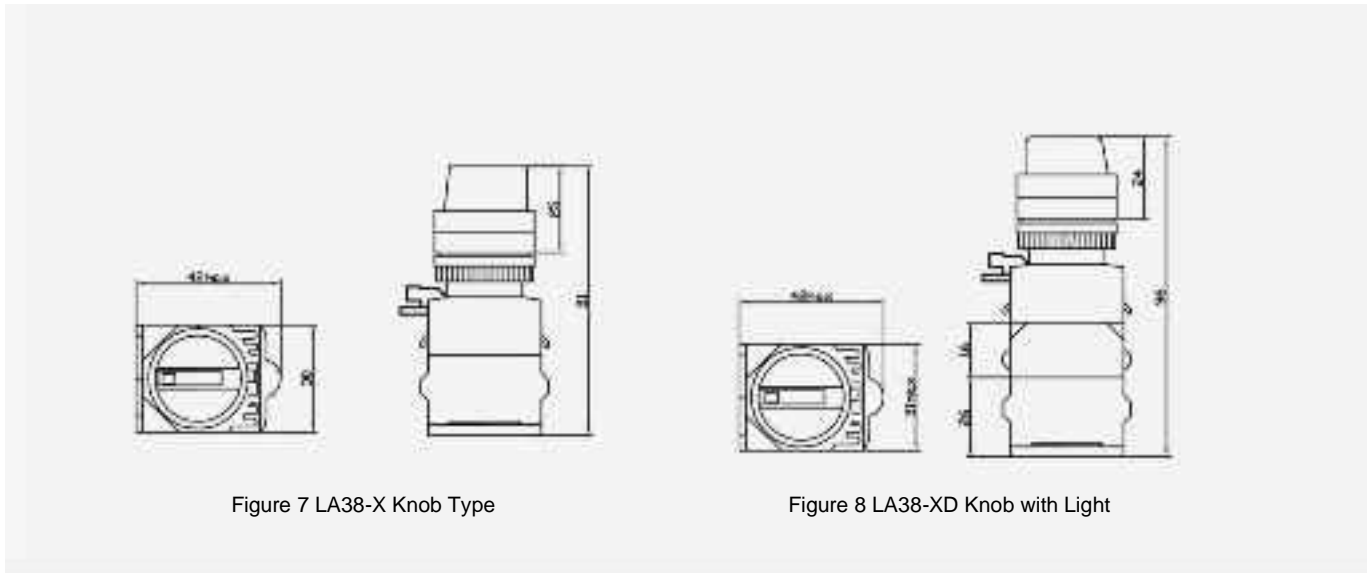


Figure 7 LA38-X Knob Type

Figure 8 LA38-XD Knob with Light

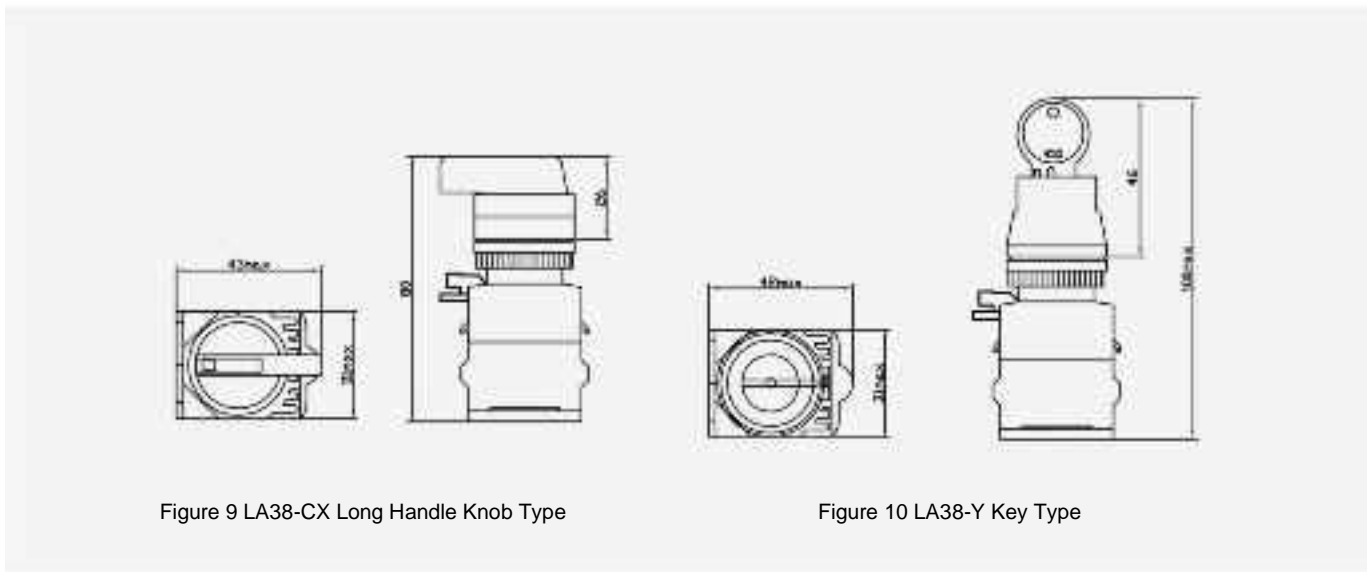


Figure 9 LA38-CX Long Handle Knob Type

Figure 10 LA38-Y Key Type

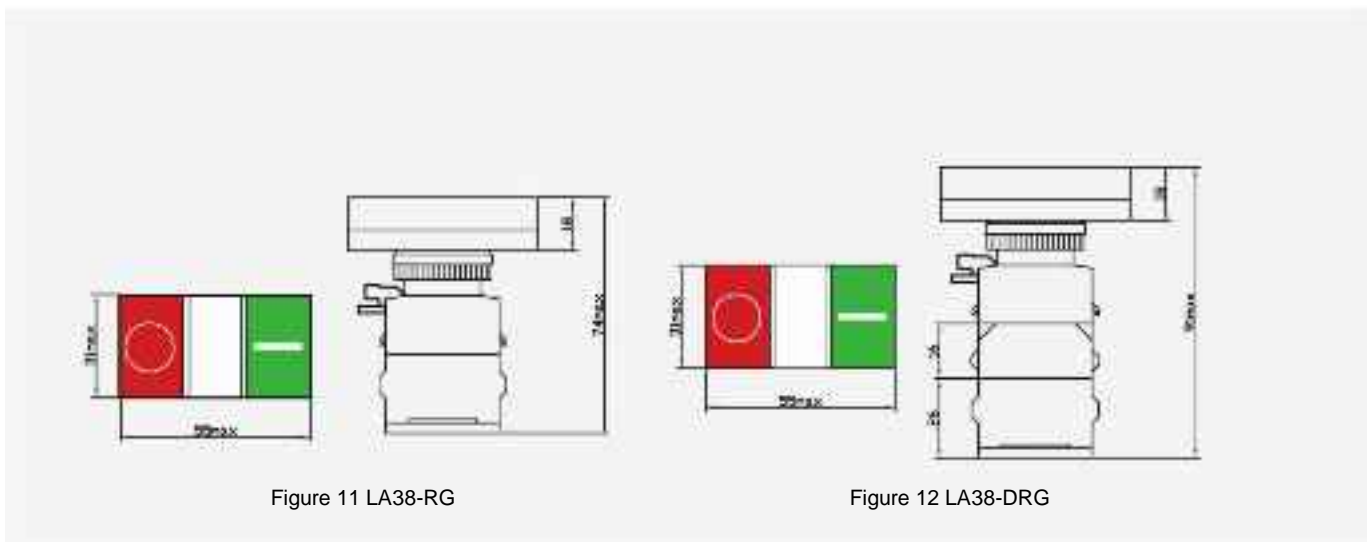


Figure 11 LA38-RG

Figure 12 LA38-DRG

# LA38

## Series Button Switch

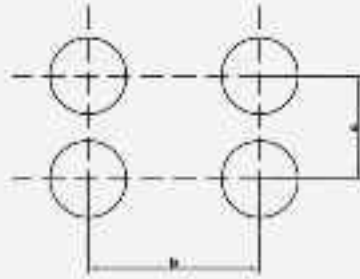


Figure 13

Name	Size	
	a	b
General button, button with light, knob, key button	30	50
Mushroom button, long handle knob, emergency stop button	45	50

## VII. Ordering Information

- Please indicate the product model, color and quantity when ordering.  
E.g. button switch LA38-11BM, red, 10 Pcs